

# MENABO

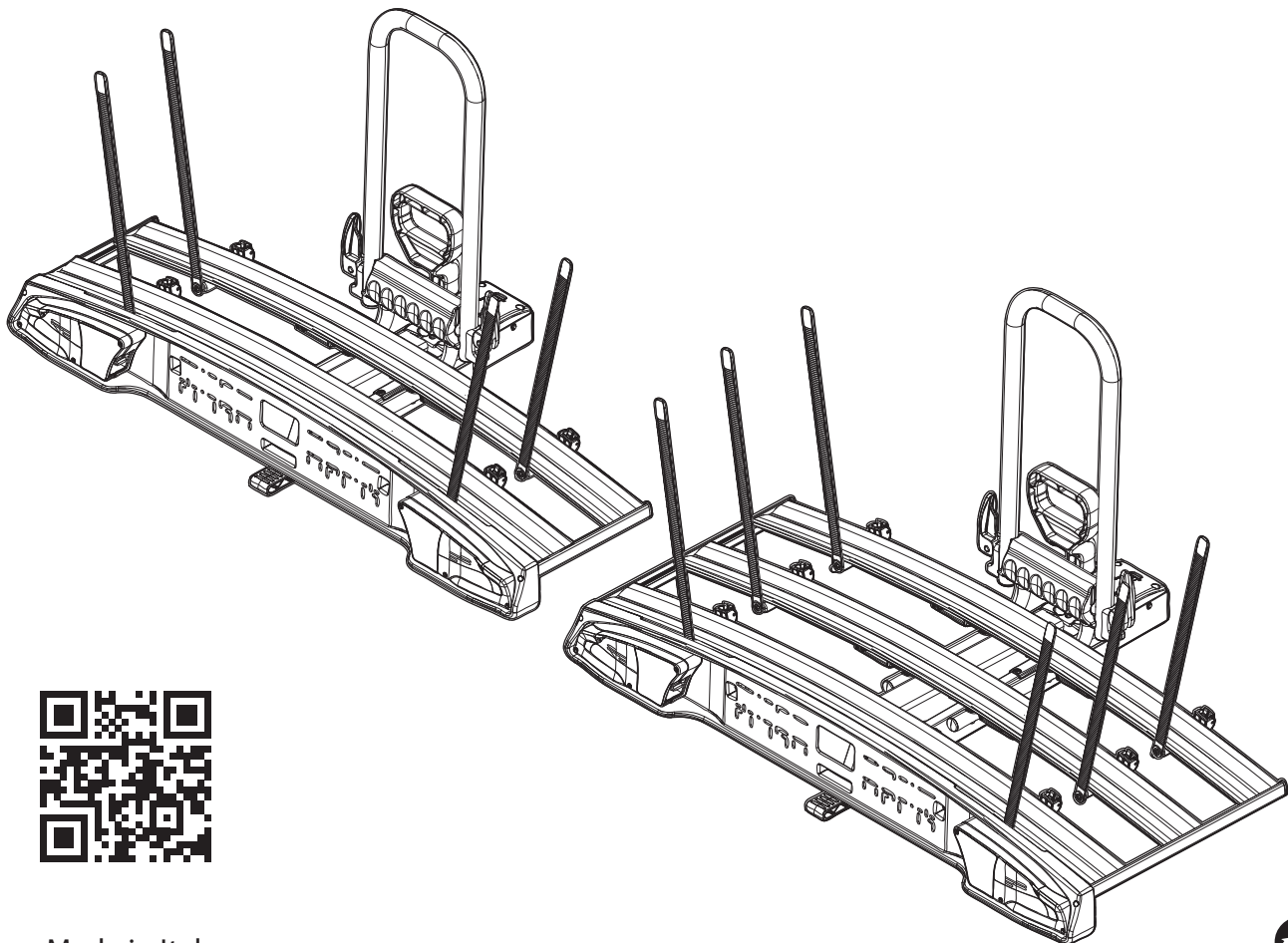
your free time on the move

## ALCOR 2 ALCOR 3

## ACRUX 2 ACRUX 3

**IT** Istruzioni di montaggio  
**EN** Fitting instructions  
**DE** Montageanleitung  
**FR** Instructions de montage  
**ES** Instrucciones de montaje  
**CS** Návod na montáž  
**DA** Monteringsvejledning  
**EL** Οδηγίες συναρμολόγησης  
**ET** Paigaldusjuhend  
**FI** Asennusohje  
**HR** Uputa za sastavljanje  
**HU** A felszerelés módja  
**LT** Stiprināšanas instrukcija

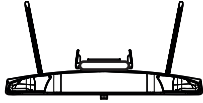











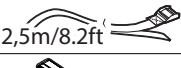




**LV** Pritvirtinimo instrukcijas  
**NL** Instrukcja montażu  
**NO** Monteringsveiledning  
**PL** Instrukcja montażu  
**PT** Instruções de Montagem  
**RO** Instrucțiuni de montare  
**RU** Инструкции по установке  
**SK** Návod na montáž  
**SL** Navodila za pritrjevanje  
**SV** Monteringsanvisning  
**TK** Uydurma talimat  
**ZH** 裝修指導  
**AR** تعليمات التجميع



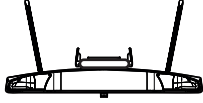
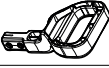












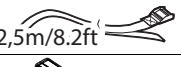




Made in Italy

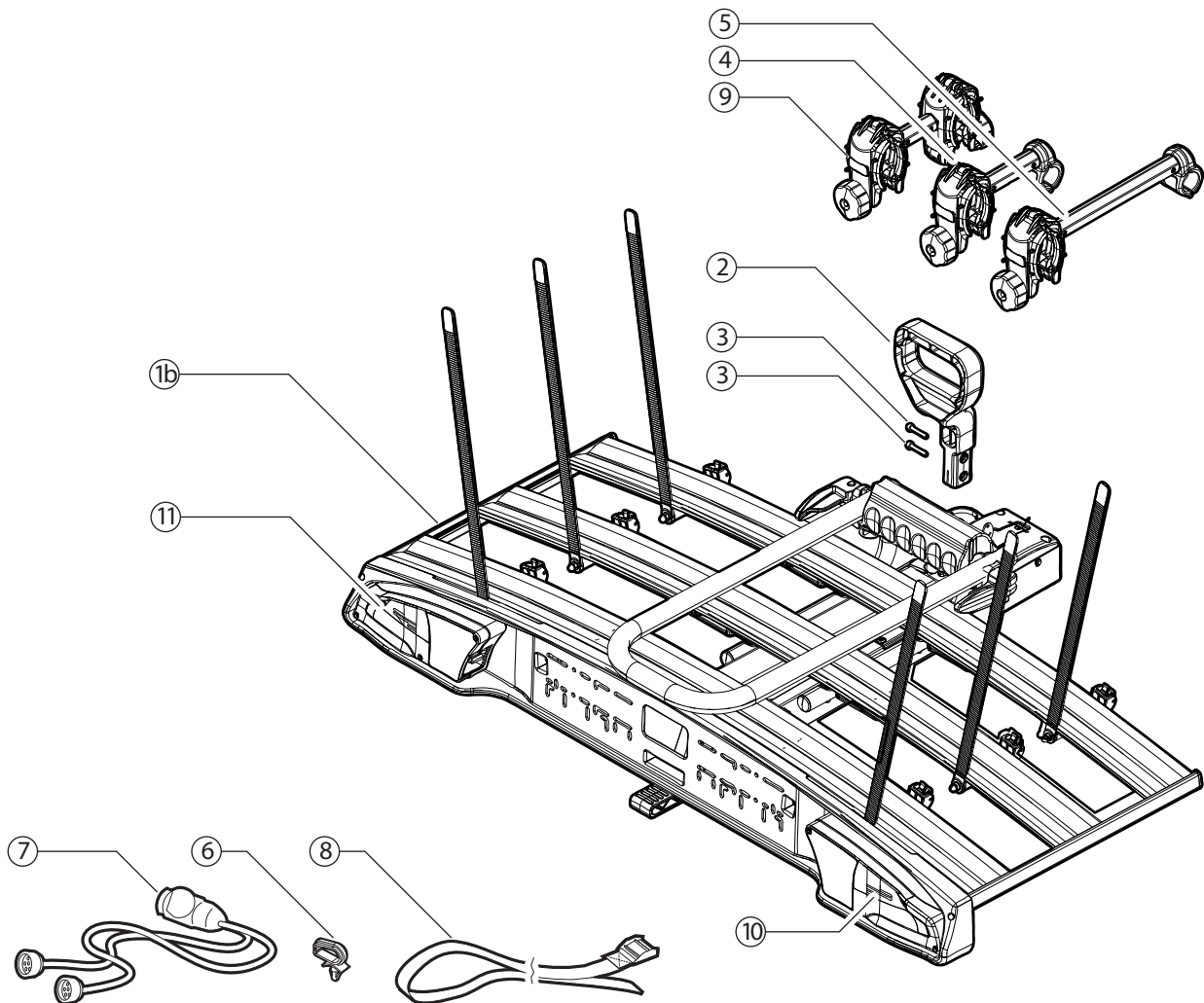
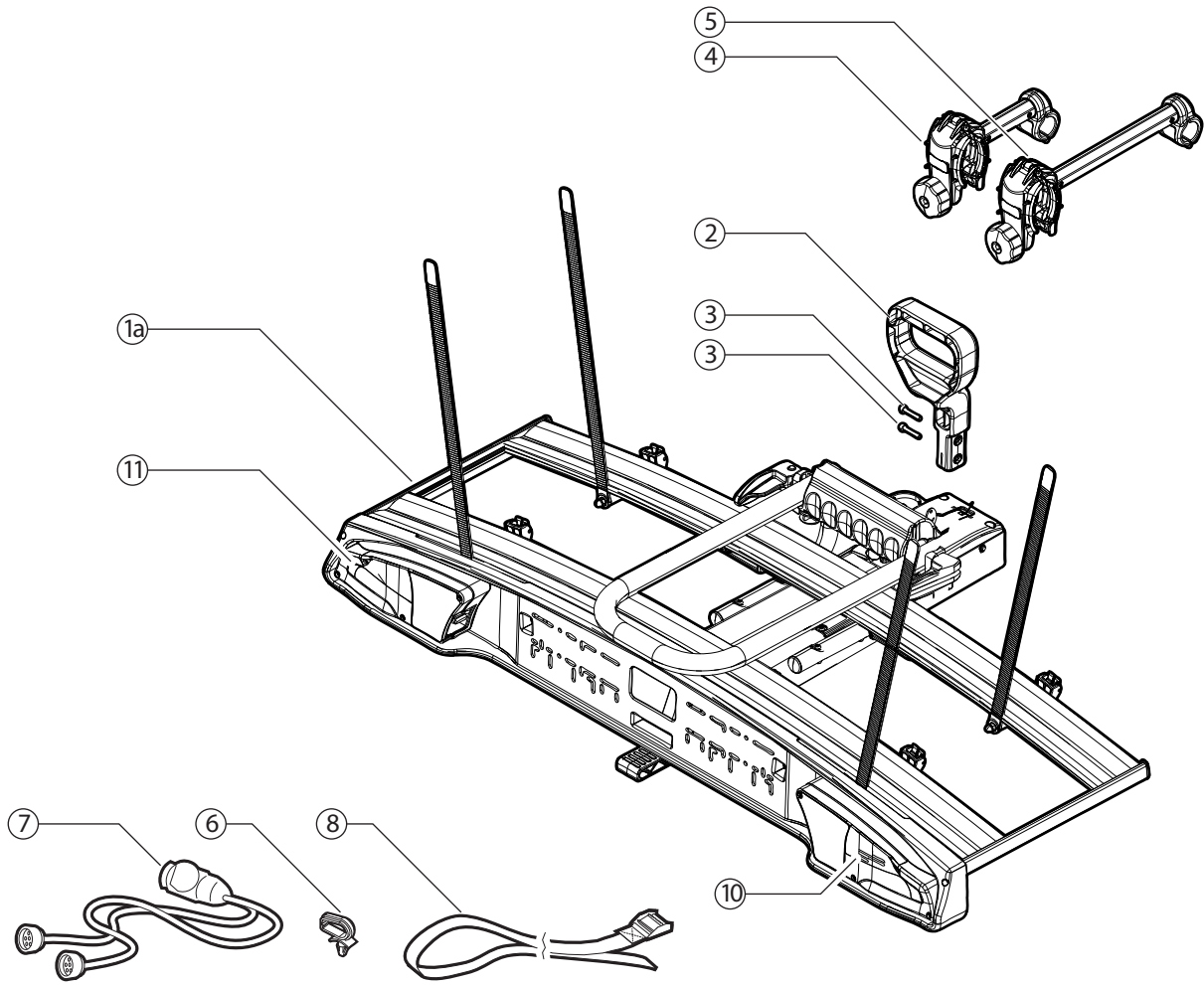


## ALCOR 2 / ACRUX 2

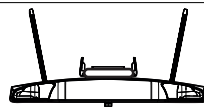
N	[IT]Componenti (Inclusi) [EN]Components (Included) [FR]Composants (Comprises) [DE]Die Komponenten (im Lieferumfang enthalten) [ES]Componentes (Incluido)	Q	N	[IT]Ricambi (A Richiesta) [EN]Spare Parts (Made to order) [FR]Pièces de rechange (Sur commande) [DE]E Teile (auf Anfrage) [ES]Piezas de recambio (Previa solicitud)	Q	Codice-Code-Código
1a		1	2		1	700036300000
			3		1	
2		1	4		1	700003200000
3		2	5		1	700003100000
4		1	6		4	700024000000
5		1	7		1	700033600000
6		6	8	 2,5m/8.2ft	1	700001100000
7		1	10	 dx	1	700033700000
8	 2,5m/8.2ft	1	11	 sx	1	700033800000

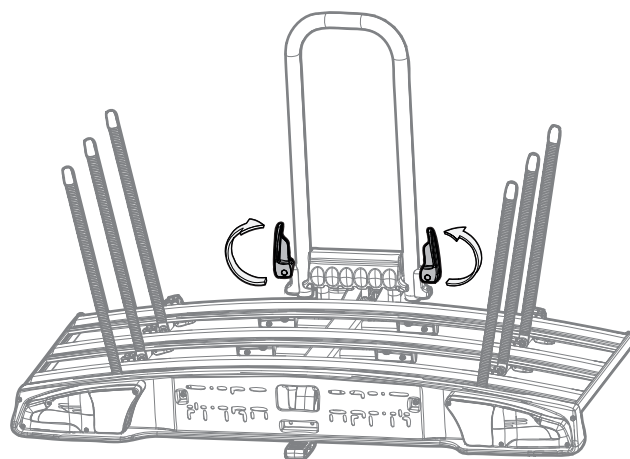
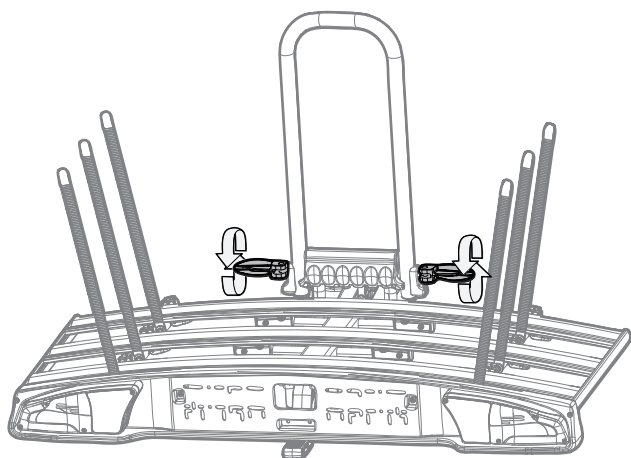
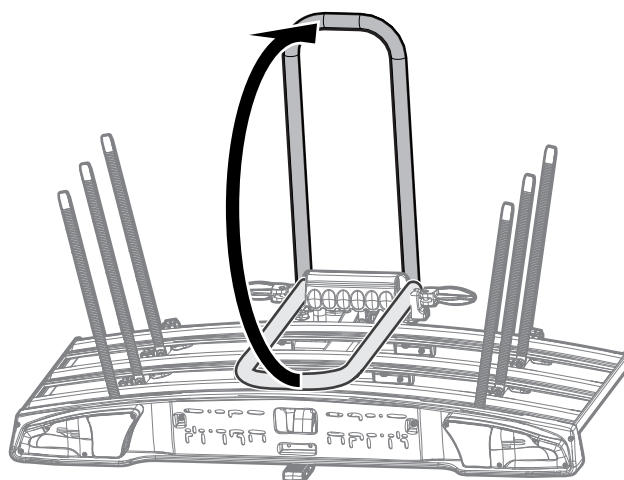
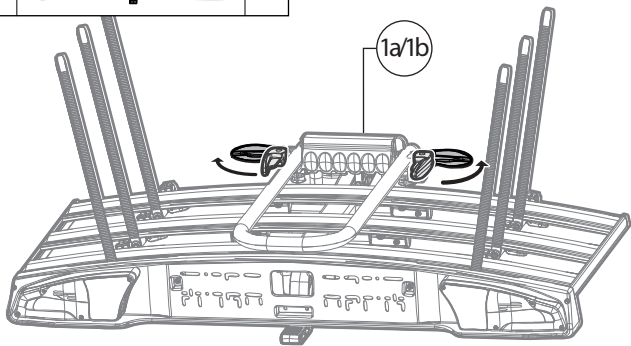
## ALCOR 3 / ACRUX 3

N	[IT]Componenti (Inclusi) [EN]Components (Included) [FR]Composants (Comprises) [DE]Die Komponenten (im Lieferumfang enthalten) [ES]Componentes (Incluido)	Q	N	[IT]Ricambi (A Richiesta) [EN]Spare Parts (Made to order) [FR]Pièces de rechange (Sur commande) [DE]E Teile (auf Anfrage) [ES]Piezas de recambio (Previa solicitud)	Q	Codice-Code-Código
1b		1	2		1	700036300000
			3		1	
2		1	4		1	700003200000
3		2	5		1	700003100000
4		1	9		1	700006900000
5		1	6		4	700024000000
9		1	7		1	700033600000
6		6	8	 2,5m/8.2ft	1	700001100000
7		1	10	 dx	1	700033700000
8	 2,5m/8.2ft	1	11	 sx	1	700033800000

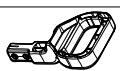



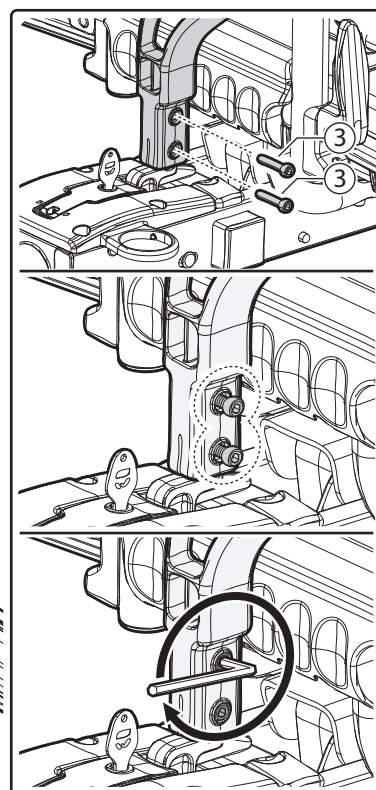
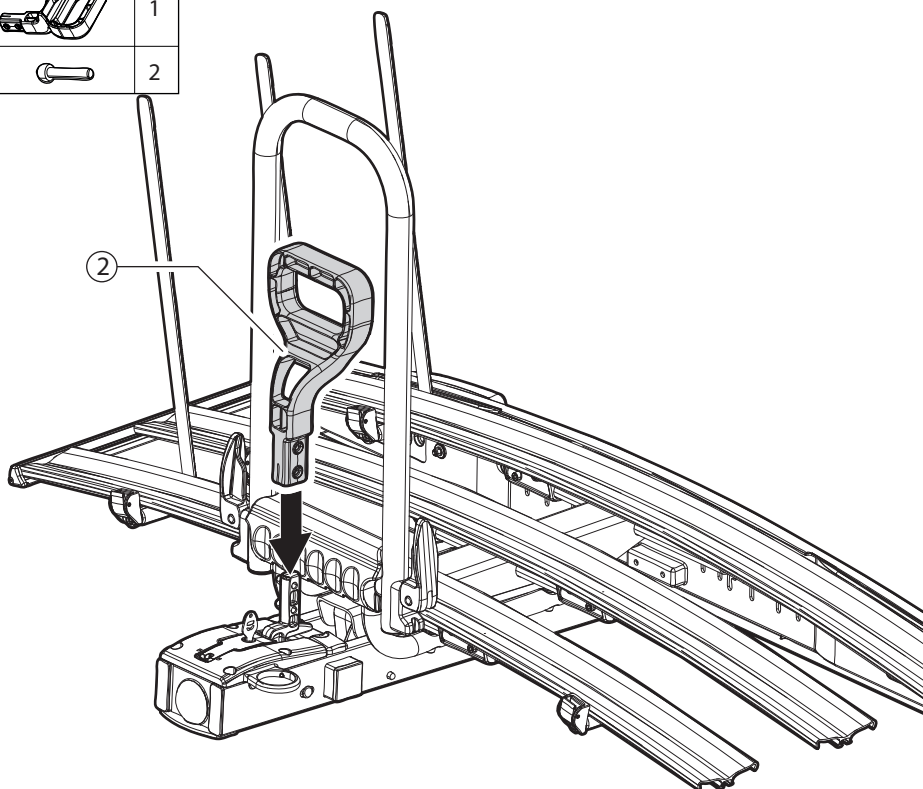
①—ALCOR 2-/ALCOR 3-/ACRUX 2-/ACRUX 3

N		Q
1a 1b		1



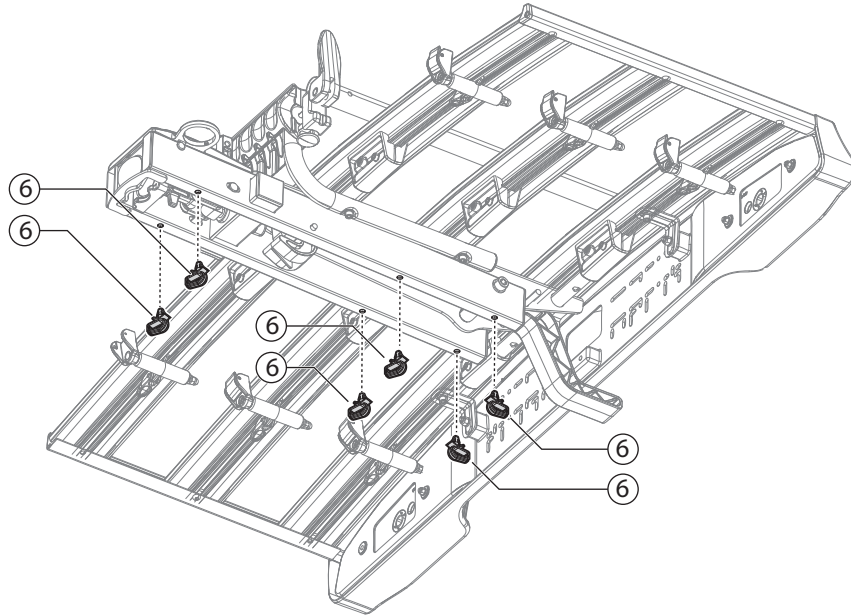
②—ALCOR 2-/ALCOR 3-/ACRUX 2-/ACRUX 3

N		Q
2		1
3		2



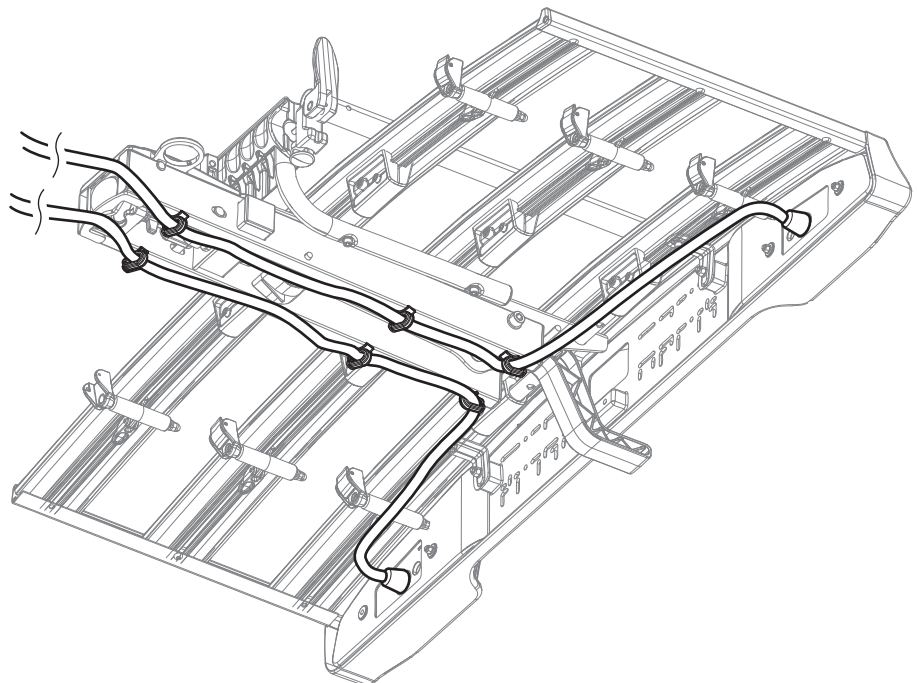
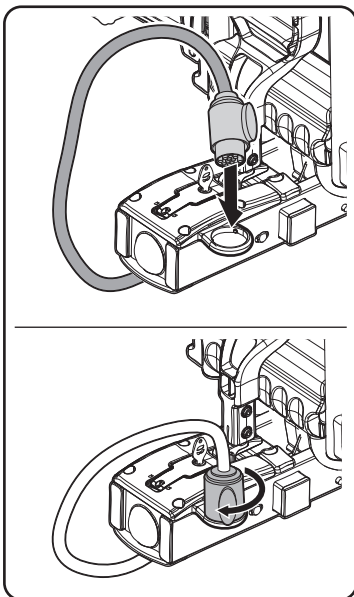
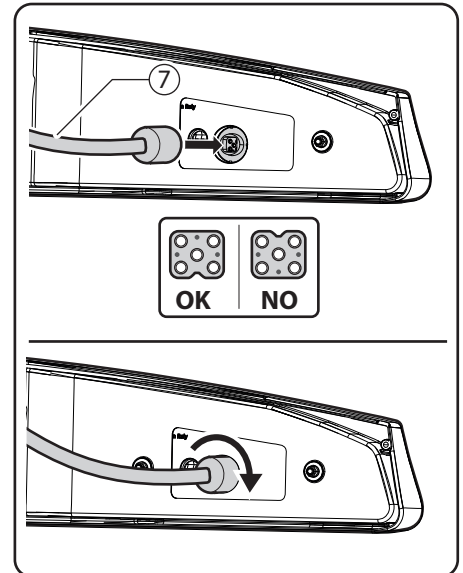
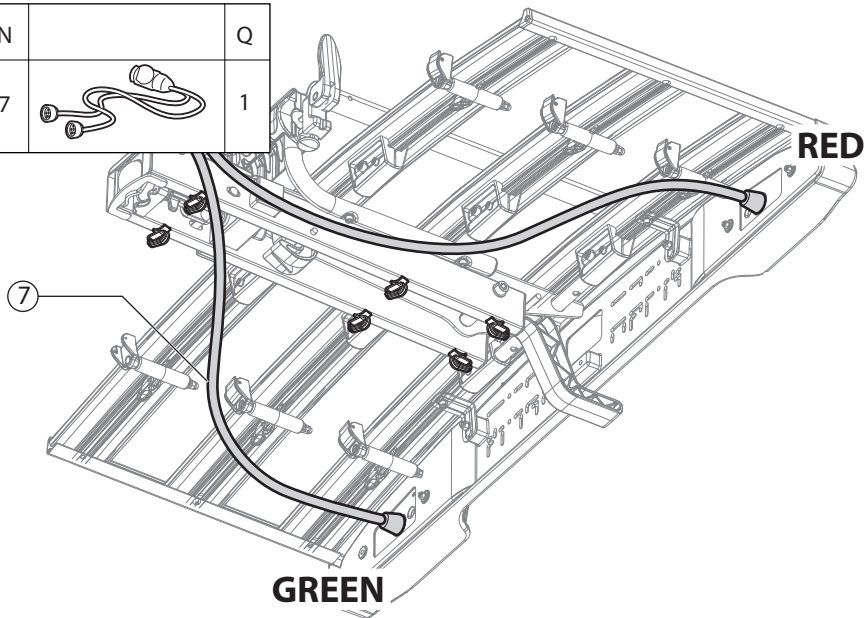


③—ALCOR 2-/ALCOR 3/ACRUX 2/ACRUX 3





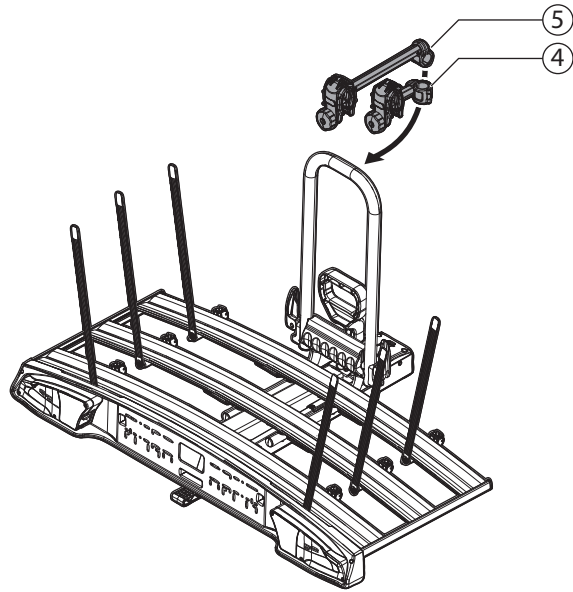
N		Q
6		6

N		Q
7		1

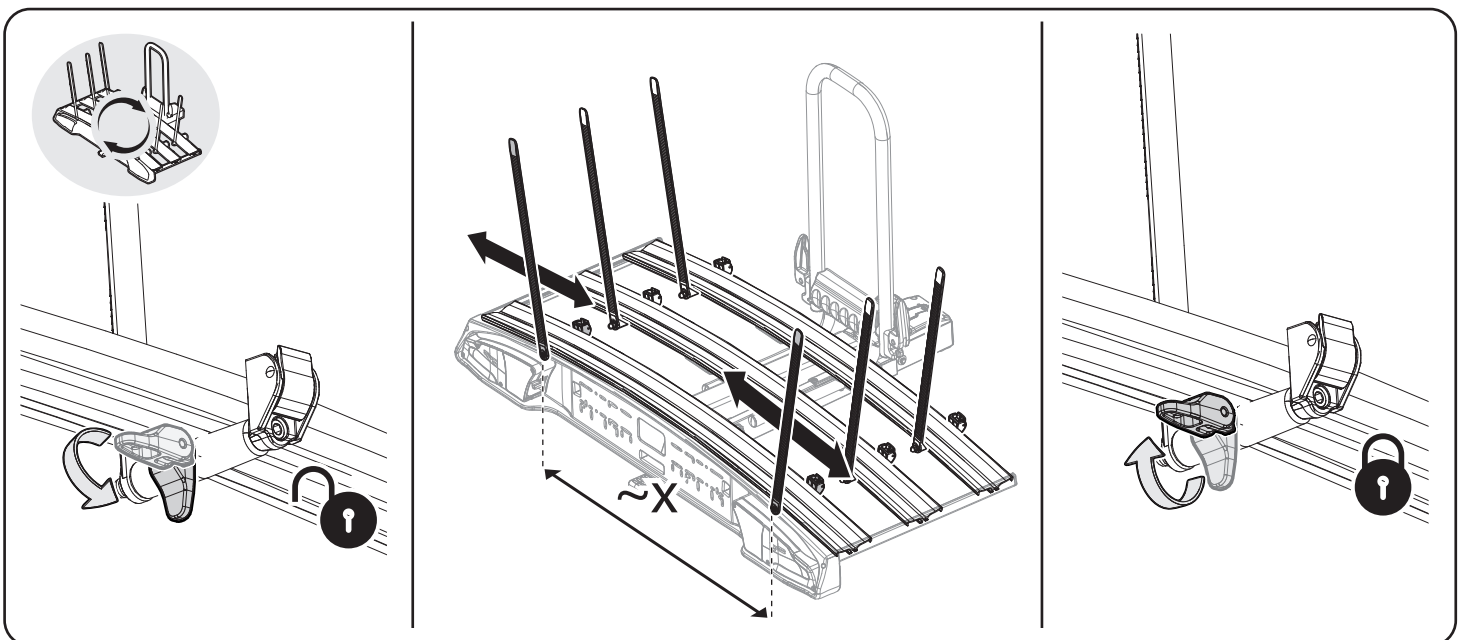
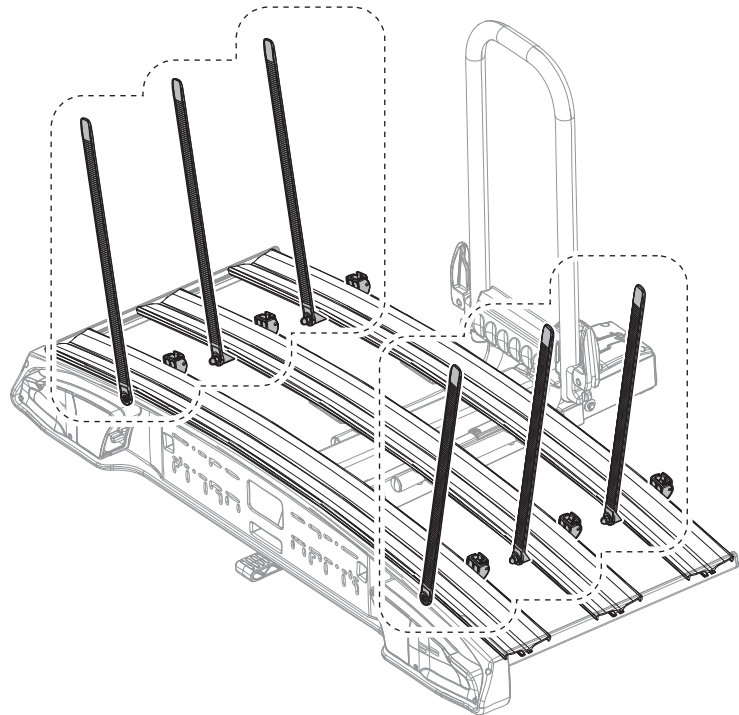
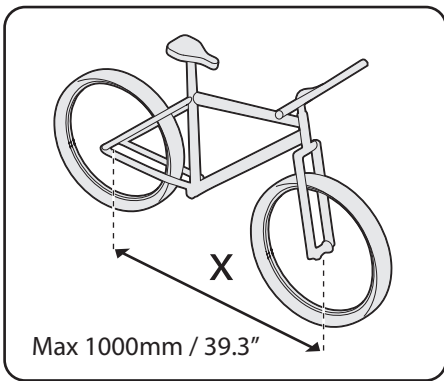


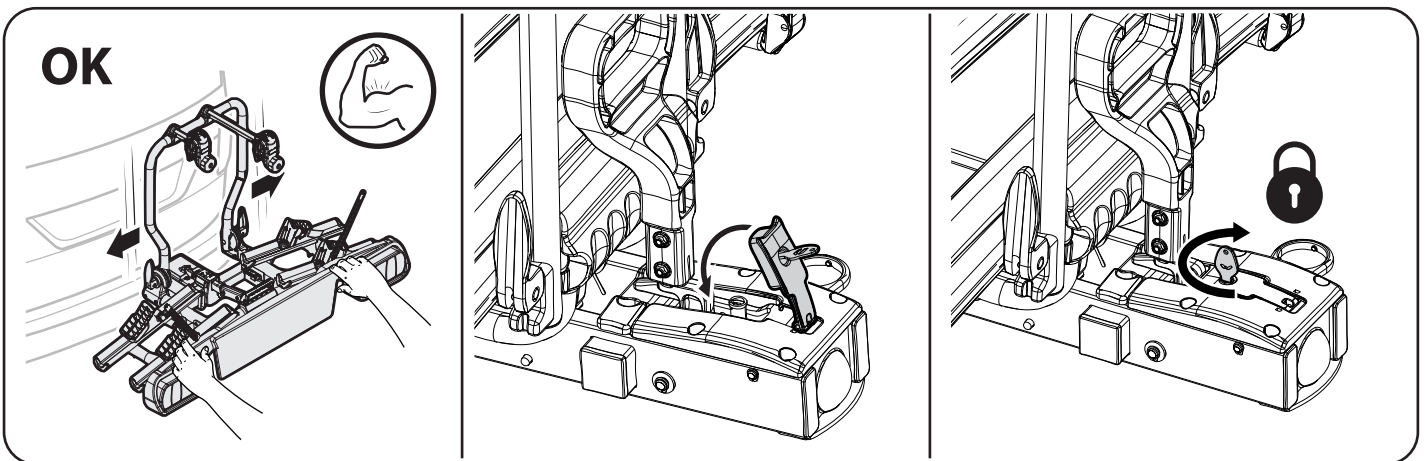
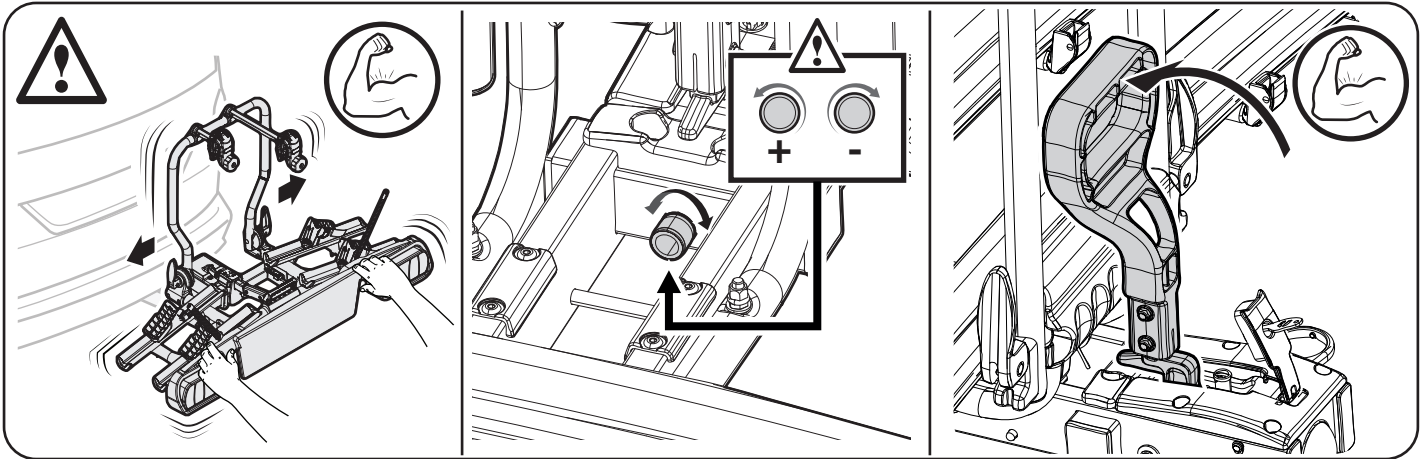
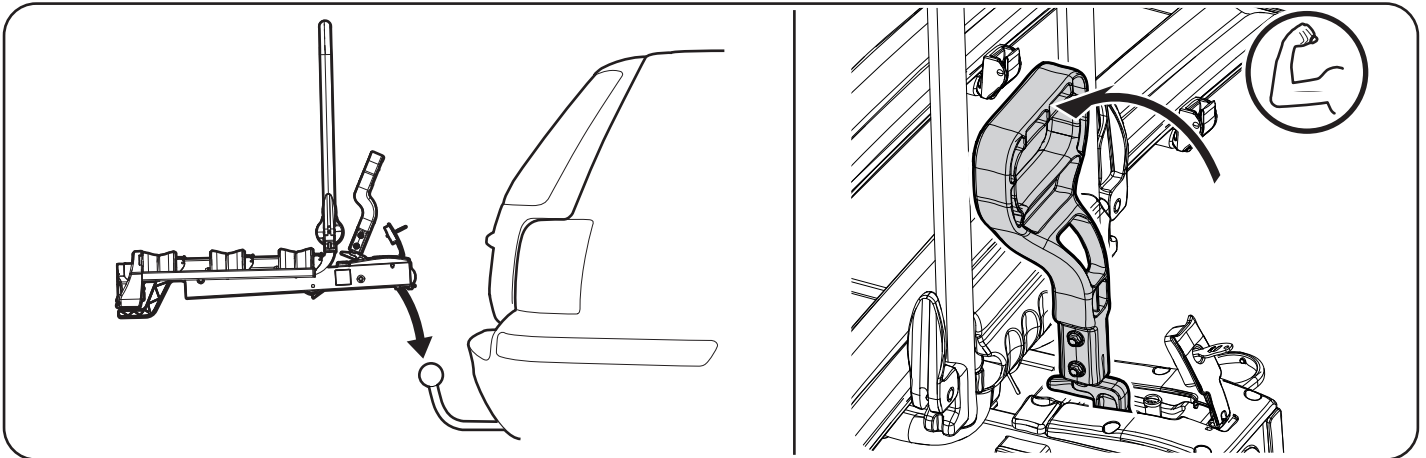
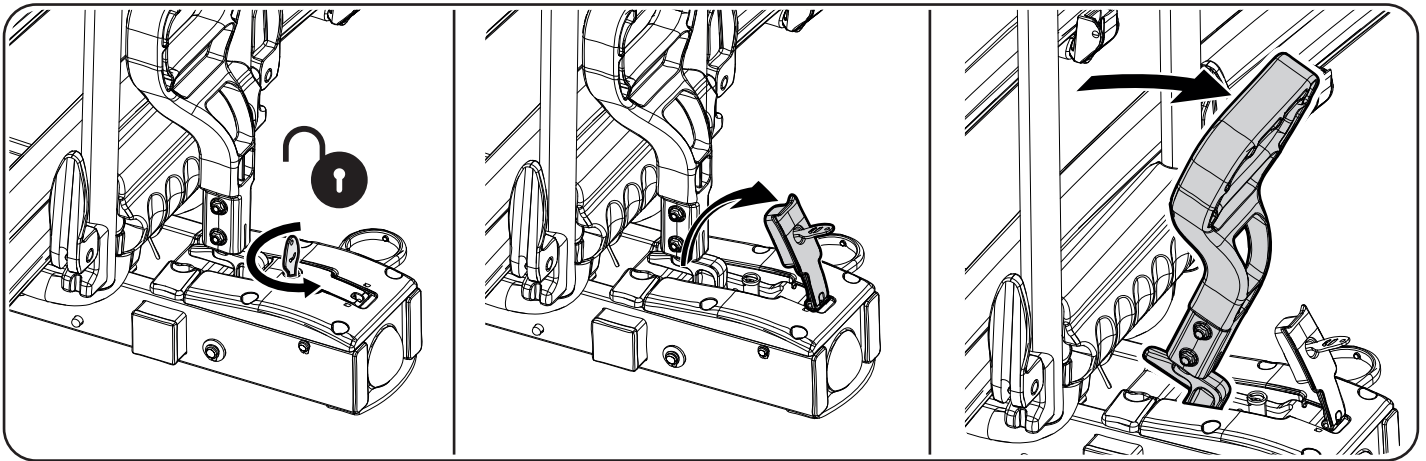
④—ALCOR 2-/ALCOR 3/ACRUX 2/ACRUX 3

N		Q
4		1
5		1



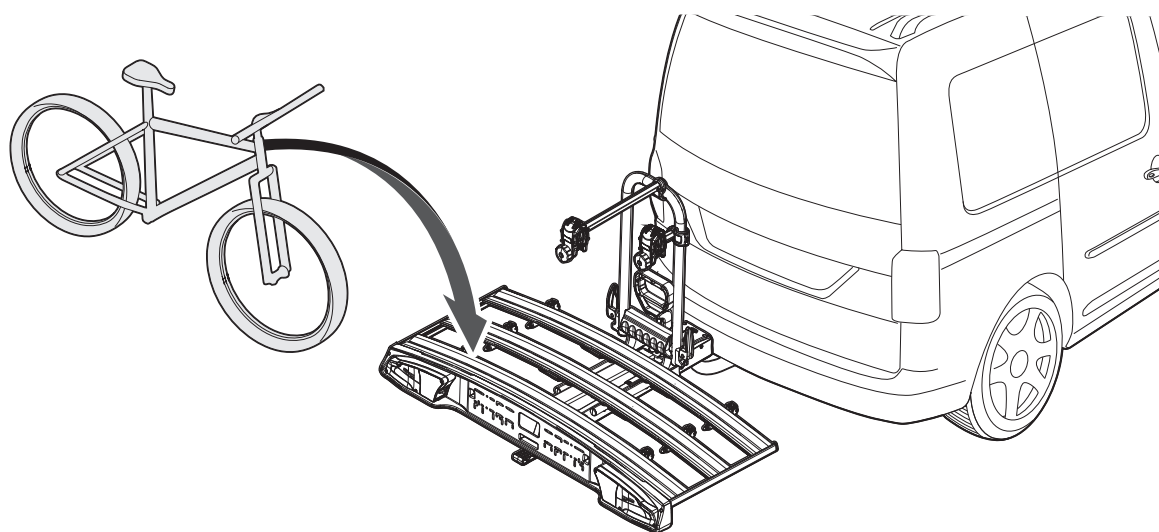
⑤—ALCOR 2-/ALCOR 3/ACRUX 2/ACRUX 3







⑦—ALCOR 2- / ALCOR 3- / ACRUX 2- / ACRUX 3—



● MIN Ø30 mm / 1,2"  
 ● MAX Ø50 mm / 2"  
 ● MIN 30x60 mm / 1,2"x2,4"  
 ● MAX 50x70 mm / 2"x 2,7"



MIN 22"  
 MAX 29"

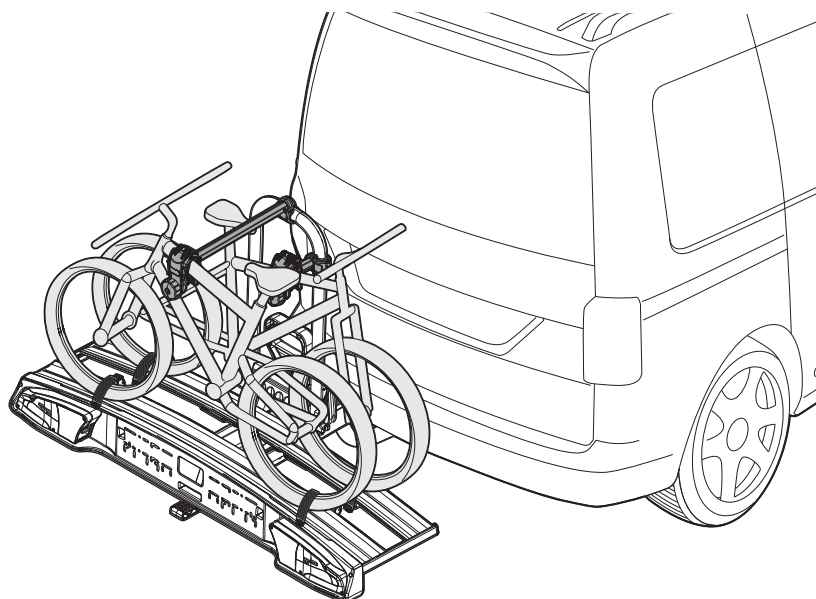
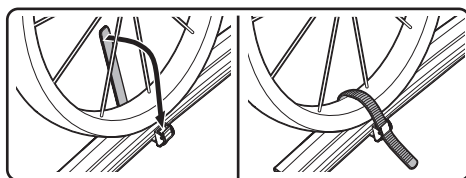
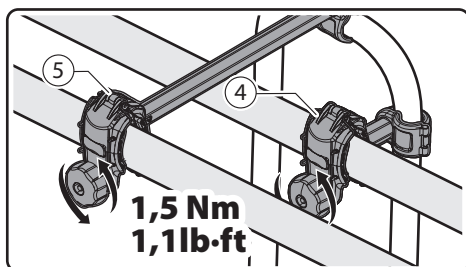


MAX 110mm / 4.3"

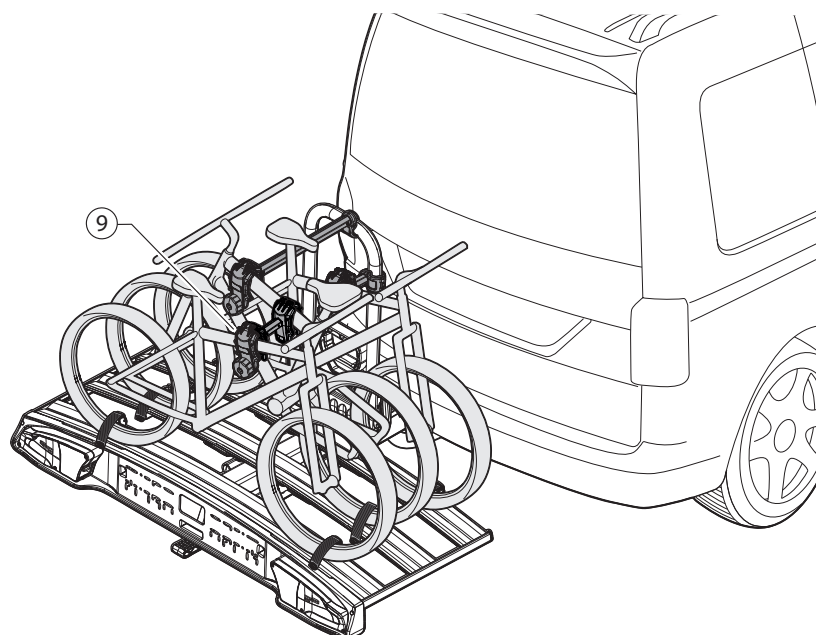
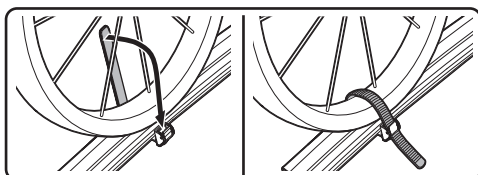
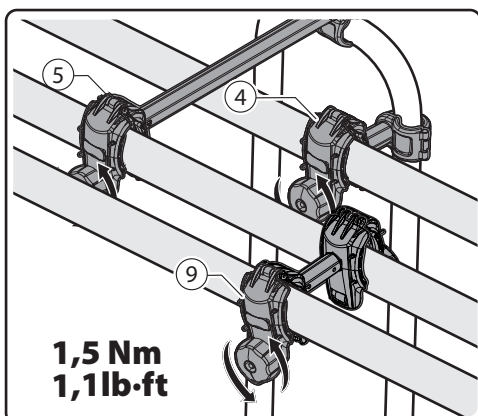


MAX 1000mm / 39.3"

⑧—ALCOR 2- / ACRUX 2—

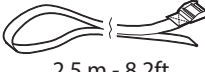


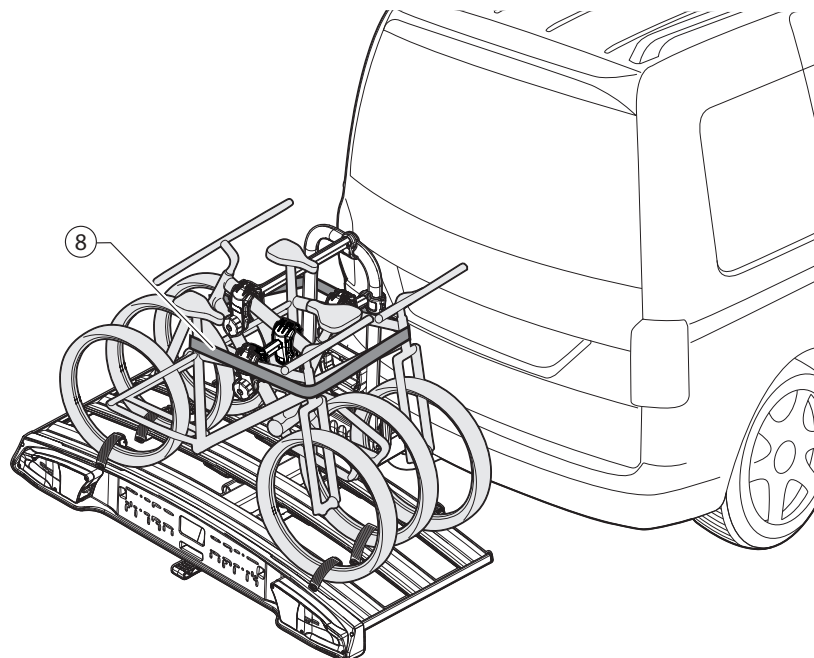
⑨—ALCOR 3- / ACRUX 3—



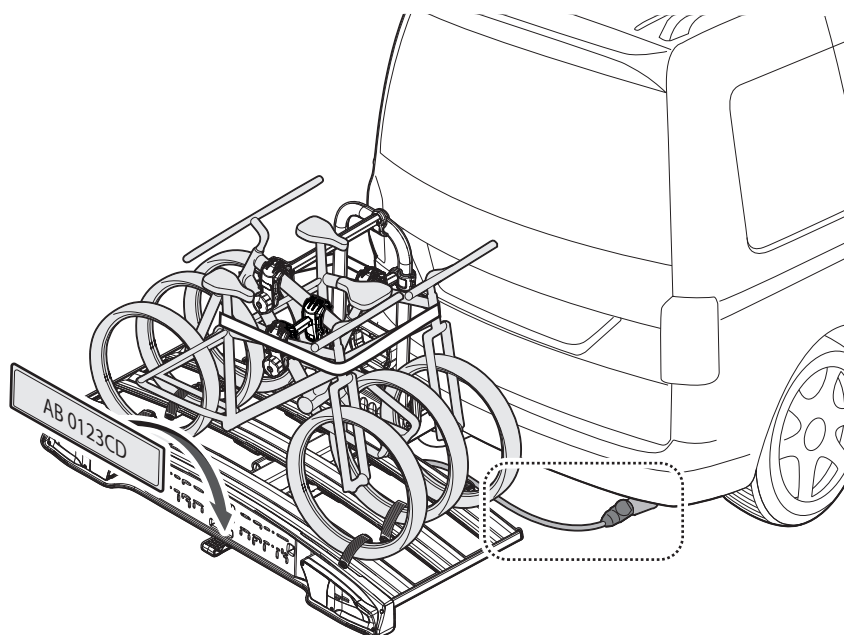
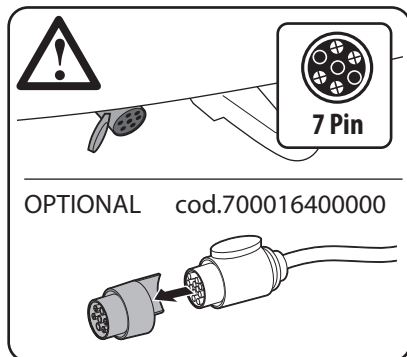
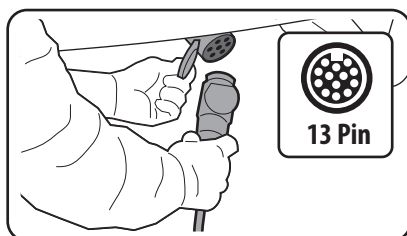


⑩—ALCOR 2-/ALCOR 3/ACRUX 2/ACRUX 3

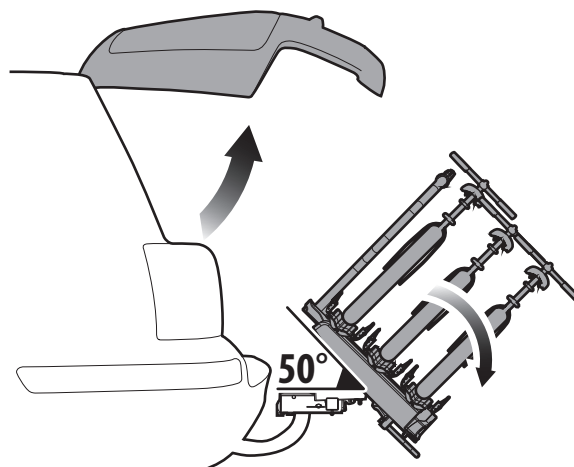
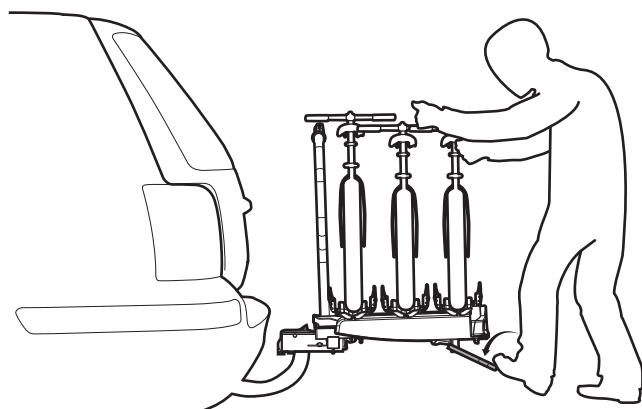
N		Q
8	 2,5 m - 8,2ft	1

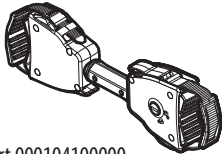
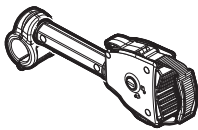
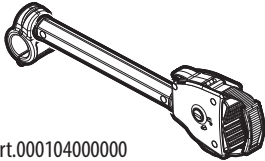
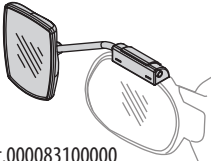

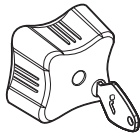









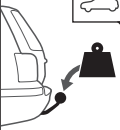
⑪—ALCOR 2-/ALCOR 3/ACRUX 2/ACRUX 3



⑫—ALCOR 2-/ALCOR 3/ACRUX 2/ACRUX 3




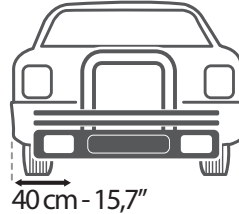
OPTIONAL		
<b>BRACCETTO DOPPIO</b>  Art.000104100000	<b>BRACCETTO CORTO</b>  Art.000103900000	<b>BRACCETTO LUNGO</b>  Art.000104000000
<b>EVIDENCE MIRROR</b>  Art.000083100000	<b>RAMPA</b>  Art.000082100000	<b>POMELLO ANTIFURTO</b>  Art.000026400000

MAX  94/20/CE STANDARD	 Alcor 2 / Acrux 2	x2  MAX 30kg - 66,1lb	 Alcor 3 / Acrux 3	Standard  MAX 20kg - 44,1lb	x3 OR E-bike  MAX 30kg - 66,1lb	 Car Manual
50 kg - 110,2lb	16,2 kg - 35,3lb	33,8 kg - 72,7lb	18 kg - 39,7lb	32 kg - 70,5lb		
60 kg - 132,3lb		43,8 kg - 94,8lb		42 kg - 92,6lb		
70 kg - 154,3lb		53,8 kg - 117lb		52 kg - 114,6lb		
80 kg - 176,4lb		60 kg - 132,3lb		60 kg - 132,2lb		
>80 kg - 176,4lb		60 kg - 132,3lb		60 kg - 132,2lb		


 **No Tandem**









40 cm - 15,7"








**130**  
km/h


**80**  
mph





 SPEED




 SPEED











**F.lli Menabò S.r.l.**  
Via 8 Marzo, 3  
42025 Cavriago (RE)  
Tel. +39-0522/942840  
Fax. +39-0522/942948  
e-mail: info@flli-menabo.it  
www.flli-menabo.it

Cod.Istr.	Data	Creto da	Approvato da
500031400000	26/03/2019	NP	EL